

Mounting instructions.

**SWITCH OFF ELECTRICITY
DURING MOUNTING!!!!!!!!!!!!**

Mark-off the inbetween-distance of the hanging wires, 44,5cm and prepare the holes for hanging points. (1.)
Fix the hangingpoints to the ceiling with a plug and screw as said in the drawing! (2.)
Fix the plaque to the ceiling where the main entrance of 220/230V is. (3.)

Push the steelwires through the hangingpoints and make sure they get blocked by the little cube as soon as you turn them tight to the parts on the ceiling. (4.)

Now four wires are hanging on the ceiling. Check all the fixtures that they are turned tight and that the wires are blocked when pulling them!

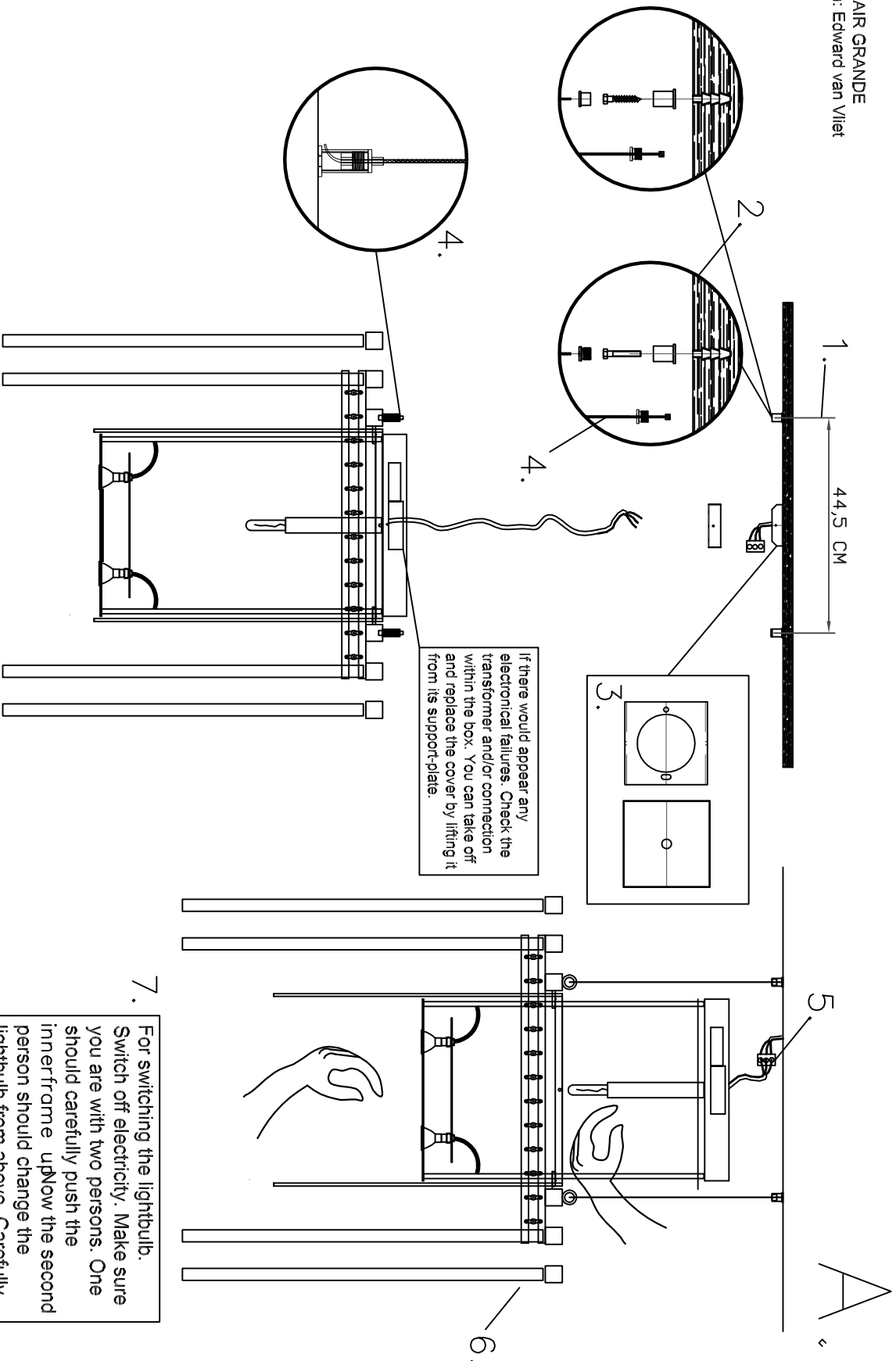
SEE DRAWING B.
FRAME!

When the frame is hanging.

- Define the length of the main wiring.

- Connect the 220V /230V wiring. Beginning with the ground lead, then connect the main wiring to the electrical terminal (5.)

All the 12V electricity is hidden in the cap on top of the suspension.



If there would appear any
electrical failures. Check the
transformer and/or connection
within the box. You can take off
and replace the cover by lifting it
from its support-plate.

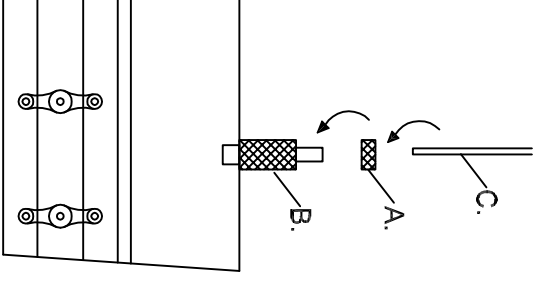
For switching the lightbulb.
Switch off electricity. Make sure
you are with two persons. One
should carefully push the
innerframe up! Now the second
person should change the
lightbulb from above. Carefully
lower the innerframe again.

When finished the
connection make sure
you close the applique
(3.) by turning tight the
inserts on the sides and
turn tight the cable-grip.

SEE DRAWING C.

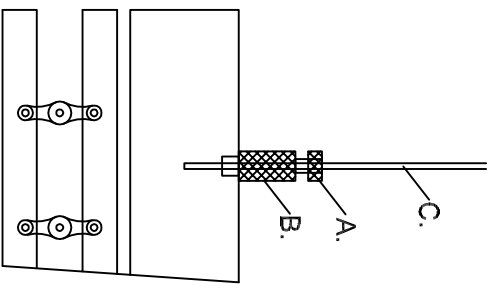
a.

- ALWAYS KEEP SUPPORTING THE FRAME WHILE MOUNTING THE SUSPENSIONS.
- Define the total height of the suspension!!!!
- Carefully turn Loosening (A) from cable-grip (B) to unblock the entrance.
- push the steelwires through the ring (A) and cable-grip (B).



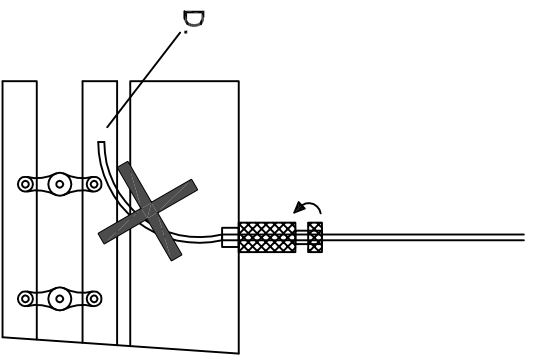
b.

- Now turn tight ring (A) to block the suspension.
- MAKE SURE THE STEELWIRE (C) GOES THROUGH (B) FAR ENOUGH BEFORE TURNING TIGHT RING (A)



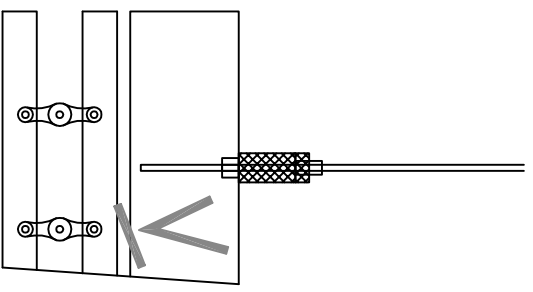
c.

- ATTENTION /IMPORTANT!!!!!!**
- MAKE SURE THE STEELWIRE IS DEFININATELY NOT MAKING ANY CONTACT TO ANY METAL STRIP (D) WHERE THE LIGHTBULBS ARE IN.
 - AS THERE IS 12V TENSION ON IT, THIS WILL MAKE SHORT CIRCUIT!

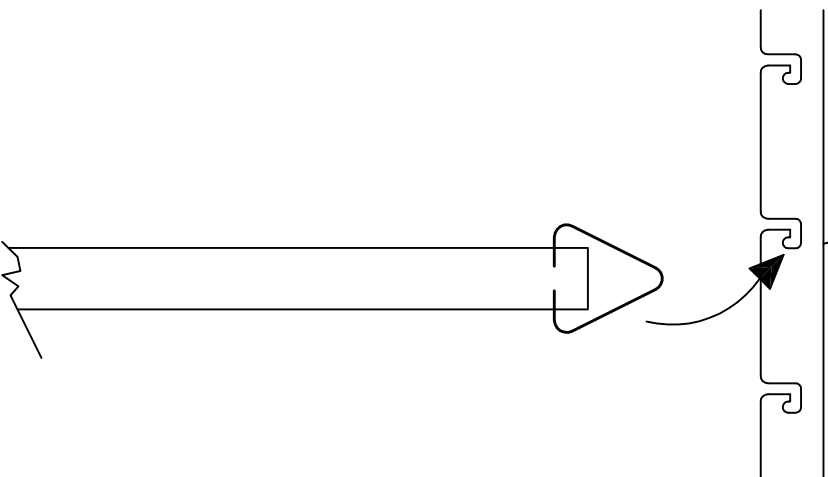


d.

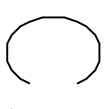
- Please shorten the steel-wires securely. But always make sure there will be enough overlength to define the height of the frame as it is hanging on all 4 points.
- Now please return to mounting instructions for further instructions!



6. Move the tubes towards the frame and hang them in every hook.



ALISTAIR GRANDE
PRODUCTINFORMATION:

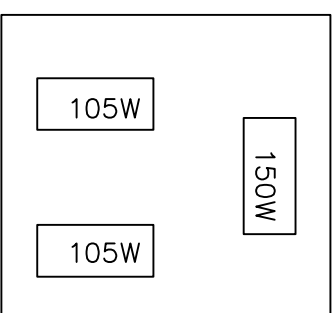


Lightsources:


With each ALISTAIR you will receive:


- 4 x 50W halogen 12V.
- 92 +3x E10/1,2W lightbulb 12V.
- 1 x E27/75W halogen. 220/230V.

The transformers are positioned as followed on top of the frame. Just lift the aluminium cap.



Always switch off the light before cleaning!!!
Clean the suspension with a featherduster or a specified cleanser on soft cloth.

 certification of european confirmity

 classified fittings whose safety is guaranteed by the earth connection